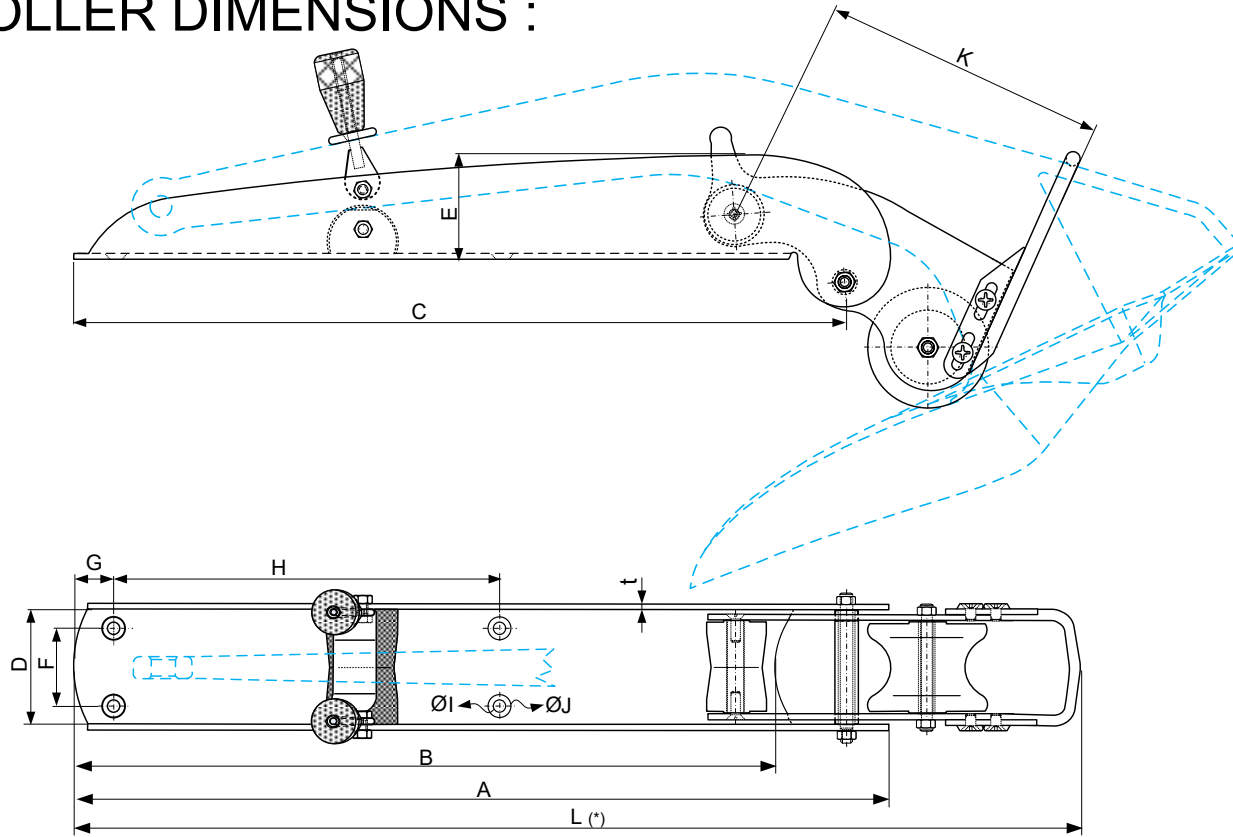


ULTRA BOW ROLLER DIMENSIONS :



Anchor kg	5	8	12	16	21	27	35	45	60	80	100	130	160	200
A	396,8	464,0	531,2	584,6	639,8	696,0	759,1	825,0	908,0	994,4	1076,9	1175,0	1259,3	1356,7
B	342,1	400,2	458,2	504,2	551,8	600,3	654,7	711,6	783,4	862,0	938,9	1013,7	1086,1	1170,2
C	374,5	438,0	501,5	551,9	604,0	657,0	716,7	778,7	857,2	943,4	1016,6	1109,5	1188,7	1280,7
D	55,2	64,6	74,0	81,4	89,1	96,9	105,7	114,9	126,4	139,1	149,9	163,6	175,3	188,9
E	50,5	59,1	67,7	74,5	81,5	88,7	96,7	105,1	115,7	127,3	137,2	149,7	160,4	172,8
K	141,1	165,0	188,9	207,9	227,5	247,5	269,9	293,4	322,9	355,4	383,0	417,9	447,8	482,5
L(*)	536	573	656	721	790	859	937	1018	1121	1234	1329	1450	1555	1675
t	3,0	4,0	4,0	4,0	5,0	5,0	6,0	6,0	6,0	8,0	8,0	8,0	10,0	10,0

- Dimensions are in mm.

- If dimension "A" or "B" is given together with the order by customer, it can be manufactured in different lengths.

- The bow roller chassis is either manufactured without holes to not let potential problems on mounting and drilled by the customer or it is manufactured with holes, if the dimensions of "F,G,H,I,J" are given together with the order by the customer.

- Dimensions and details might be changed without giving notice.

(*) L ölçüsü mevcut çizim için verilmiş, yaklaşık ölçüdür. Salıncak hareketi ile bu ölçünün değişimler gösterebileceği dikkate alınmalıdır.